

COALESCENT OIL SEPARATORS

SEPARADORES DE ACEITE COALESCENTES

A2L-A3

CO₂

HFC



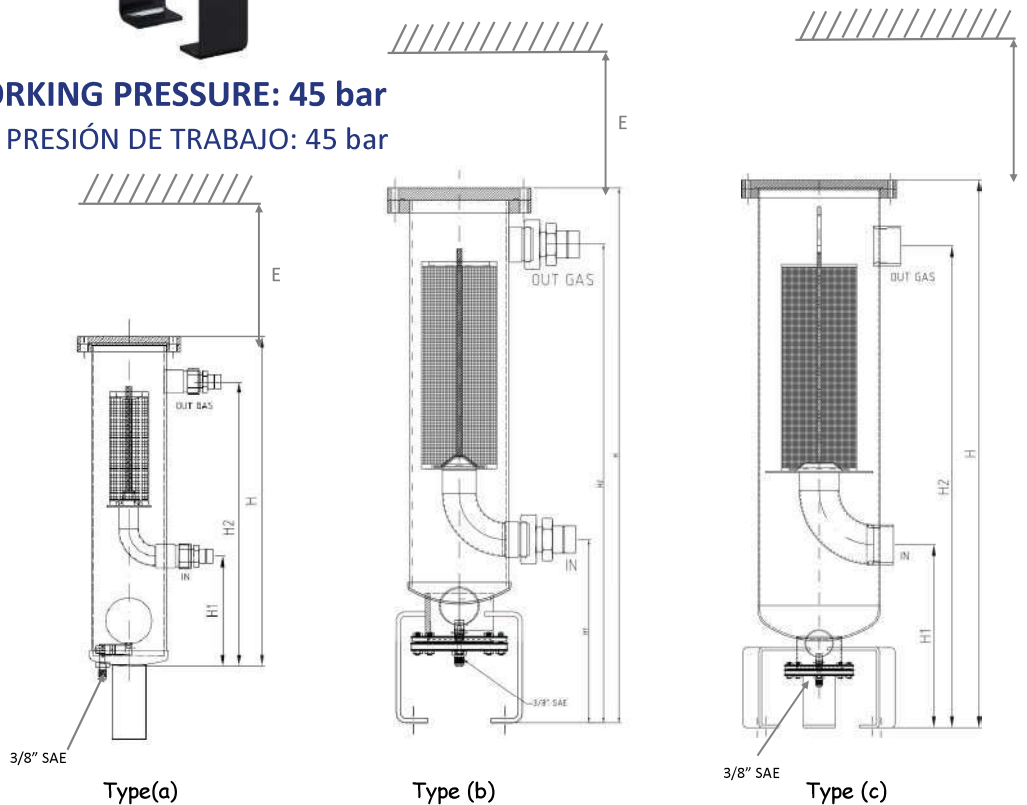
To difference of other oil separators, the efficiency of the Tecnac Coalescent Oil Separators, it does not depend on the speed. Therefore, oil separator TECNAC working (separating oil) to 99 % of efficiency when the load drop

All oil separator include replacement coalescent filter .

A diferencia de otros separadores de aceite, la eficacia de los separadores coalescentes Tecnac, no depende de la velocidad. Por consiguiente, el separador de aceite TECNAC continua funcionando (separando aceite) al 99% de eficacia cuando la carga disminuye. Todos los separadores se entregan con el filtro coalescente incorporado.



MAXIMUM WORKING PRESSURE: 45 bar
MAXIMA PRESIÓN DE TRABAJO: 45 bar



SPARE / REPUESTO

OIL SEPARATOR SEPARADOR DE ACEITE	COALESCENT FILTER FILTRO COALESCENTE	FILTER O-RING JUNTA DE FILTRO	FLANGE O-RING JUNTA DE BRIDA	BALL -BRIDLE BOYA-BRIDA
SAC-1 7/8"	Coalescent Filter 55 x 155 A-006107	A-006342	A-005270	-
SAC-2 1 1/8"	Coalescent Filter 55 x 253 A-006108	A-006342	A-005270	-
SAC-3 1 3/8"				
SAC-4 1 5/8"	Coalescent Filter 120 x 333 A-006109	A-006341	A-005271	A-004156
SAC-5 2 1/8"	Coalescent Filter 175 x 462 A-006110	A-006340	A-005272	A-004156
SAC-6 2 5/8"				
SAC-7 3 1/8"				
SAC-8 3 1/8"	Coalescent Filter 175 x 680 A-006122	A-006340	A-005272	A-004156



31 bar -10/120°C 10 bar -20/100°C			Kg	Type	Oil Precharge	Va (L)	Vt (L)	Dimensions Dimensiones(mm)				
								D	H*	H1*	H2*	E
CAT. I	SAC-1 7/8"	89.001	8	a	475 ml	1.5	3	102	450	150	388	170
CAT. I	SAC-2 1 1/8"	89.002	8.2	a	475 ml	1.6	4	102	550	150	485	270
CAT. I	SAC-3 1 3/8"	89.003	8.2	a	475 ml	1.6	4	102	550	150	485	270
CAT. II	SAC-4 1 5/8"	89.004	46	b	1 L	3.5	13	159	860	295	770	370
CAT. II	SAC-5 2 1/8"	89.005	46.5	b	1 L	3.5	13	159	860	295	765	370
CAT. I II	SAC-6 2 5/8"	89.006	80	c	1 L	17.2	50	273	1222	408	1075	495
CAT. III	SAC-7 3 1/8"	89.007	81	c	1 L	17.2	50	273	1222	408	1075	495
CAT. III	SAC-8 3 1/8"	89.022	84	c	2 L	22.3	65	273	1450	408	1303	710

45 bar -10/120°C 10 bar -20/100°C			Kg	Type	Oil Precharge	Va (L)	Vt (L)	Dimensions Dimensiones(mm)				
								D	H*	H1*	H2*	E
CAT. I	SAC-1 - 45 7/8"	89.015	19	a	475 ml	1.5	3	102	454	150	366	170
CAT. I	SAC-2 - 45 1 1/8"	89.016	21	a	475 ml	1.6	4	102	554	150	466	270
CAT. I	SAC-3 - 45 1 3/8"	89.017	21	a	475 ml	1.6	4	102	554	150	466	270
CAT. II	SAC-4 - 45 1 5/8"	89.018	50	b	1 L	3.5	13	159	860	274	742	370
CAT. II	SAC-5 - 45 2 1/8"	89.019	50	b	1 L	3.5	13	159	860	274	765	370
CAT. I II	SAC-6 - 45 2 5/8"	89.020	95	c	1 L	17.2	50	273	1222	408	1075	495
CAT. III	SAC-7 - 45 3 1/8"	89.021	96	c	1 L	17.2	50	273	1222	408	1075	495
CAT. III	SAC-8 - 45 3 1/8"	89.024	100	c	2 L	22.3	65	273	1450	408	1303	710

45 bar -10/120°C 10 bar -20/100°C			Kg	Type	Oil Precharge	Va (L)	Vt (L)	Dimensions Dimensiones(mm)				
								D	H*	H1*	H2*	E
CAT. I	SAC-10 - 45 - T 5/8"	89.050	19	a	475 ml	1.2	2.5	102	438	238		170
CAT. I	SAC-11 - 45 - T 7/8"	89.051	19	a	475 ml	1.2	2.5	102	438	238		270
CAT. I	SAC-12 - 45 - T 1 1/8"	89.052	21	a	475 ml	1.4	3.5	102	550	238		270
CAT. II	SAC-13 - 45 - T 1 3/8"	89.053	21	a	475 ml	1.4	3.5	102	550	238		370
CAT. II	SAC-14 - 45 - T 1 5/8"	89.054	50	b	1 L	3.5	13	159	889	305	748	370
CAT. I II	SAC-15 - 45 - T 2 1/8"	89.055	50	b	1 L	3.5	13	159	889	305	748	495
CAT. III	SAC-16 - 45 - T 2 5/8"	89.056	95	c	1 L	10	29	273	1003	324	854	495
CAT. III	SAC-17 - 45 - T 3 1/8"	89.057	96	c	2 L	23	69	323	1050	349	908	710

NOTE:
* TOLERANCE ± 3%

SELECTION / SELECCIÓN

31 bar -10/120°C 10 bar -20/100°C			KW (T ^a cond =37,8°C; supercalentamiento 5,6°C; subenfriamiento 0°C)					
			R134A		R404/R507		R1234ze	
			-25°C	+5°C	-40°C	+5°C	-40°C	+5°C
CAT. I	SAC-1 7/8"	89.001	13.7	23.3	11.9	36.1	4	27.8
CAT. I	SAC-2 1 1/8"	89.002	22.9	39.8	18.3	61.8	7.2	50
CAT. I	SAC-3 1 3/8"	89.003	35.1	58.2	29.3	90.3	10.9	80
CAT. II	SAC-4 1 5/8"	89.004	58.1	102.9	47.6	173.1	18.7	130
CAT. II	SAC-5 2 1/8"	89.005	85.6	140.9	65.9	218.7	25.5	177.5
CAT. I II	SAC-6 2 5/8"	89.006	92.3	191	77.6	296.7	427	296.5
CAT. III	SAC-7 3 1/8"	89.007	119.3	278.6	105	432.6	72.5	504
CAT. III	SAC-8 3 1/8"	89.022	125	280	109	435	75	505

45 bar -10/120°C 10 bar -20/100°C			FOR CO ₂ KW (T ^a cond. - 3,88°C; supercalen. 5,6°C; Subenfr. 0°C)	
			+4,4°C	-40°C
			CAT. I	SAC-1 - 45 7/8"
CAT. I	SAC-2 - 45 1 1/8"	89.016	258	62
CAT. I	SAC-3 - 45 1 3/8"	89.017	393	95,5
CAT. II	SAC-4 - 45 1 5/8"	89.018	673	163,7
CAT. II	SAC-5 - 45 2 1/8"	89.019	918	222
CAT. I II	SAC-6 - 45 2 5/8"	89.020	1534,5	373,4
CAT. III	SAC-7 - 45 3 1/8"	89.021	2610	634,9
CAT. III	SAC-8 - 45 3 1/8"	89.024	2612	640

45 bar -10/120°C 10 bar -20/100°C			FOR CO ₂ KW (T ^a cond. -3,88°C; supercalen. 5,6°C; Subenfr. 0°C)	
			+4,4°C	-40°C
			CAT. I	SAC-10 - 45 - T 5/8"
CAT. I	SAC-11 - 45 - T 7/8"	89.051	141	34
CAT. I	SAC-12 - 45 - T 1 1/8"	89.052	258	62
CAT. II	SAC-13 - 45 - T 1 3/8"	89.053	393	95,5
CAT. II	SAC-14 - 45 - T 1 5/8"	89.054	673	163,7
CAT. I II	SAC-15 - 45 - T 2 1/8"	89.055	918	222
CAT. III	SAC-16 - 45 - T 2 5/8"	89.056	1200	303
CAT. III	SAC-17 - 45 - T 3 1/8"	89.057	2650	660

COALESCENT OIL SEPARATORS

SEPARADORES DE ACEITE COALESCENTES

NH₃



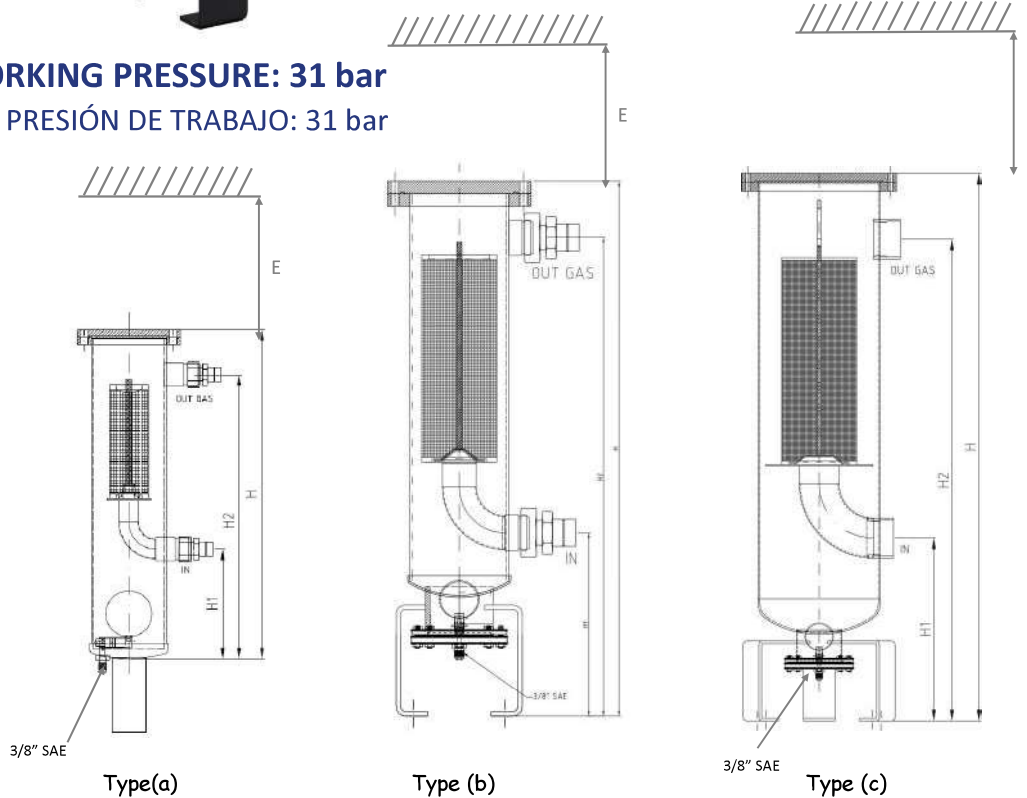
To difference of other oil separators, the efficiency of the Tecnac Coalescent Oil Separators, it does not depend on the speed. Therefore, oil separator TECNAC working (separating oil) to 99 % of efficiency when the load drop

All oil separator include replacement coalescent filter .

A diferencia de otros separadores de aceite, la eficacia de los separadores coalescentes Tecnac, no depende de la velocidad. Por consiguiente, el separador de aceite TECNAC continua funcionando (separando aceite) al 99% de eficacia cuando la carga disminuye. Todos los separadores se entregan con el filtro coalescente incorporado.



MAXIMUM WORKING PRESSURE: 31 bar
MAXIMA PRESIÓN DE TRABAJO: 31 bar



SPARE / REPUESTO

OIL SEPARATOR SEPARADOR DE ACEITE	COALESCENT FILTER FILTRO COALESCENTE	FILTER O-RING JUNTA DE FILTRO	FLANGE O-RING JUNTA DE BRIDA	BALL-BRIDGE BOYA-BRIDA
SAC-4 -NH ₃ 1 5/8"	Coalescent Filter 120 x 333 A-006109	A-006341	A-005271	A-004202
SAC-5 -NH ₃ 2 1/8"				
SAC-6 -NH ₃ 2 5/8"	Coalescent Filter 175 x 462 A-006110	A-006340	A-005272	A-004202
SAC-7 -NH ₃ 3 1/8"				
SAC-8 -NH ₃ 3 1/8"	Coalescent Filter 175 x 680 A-006122	A-006340	A-005272	A-004202



31 bar -10/120°C 10 bar -20/100°C			Kg	Type	Oil Precharge (L)	Va (L)	Vt (L)	Dimensions Dimensiones (mm)				
								D	H*	H1*	H2*	E
CAT. II	SAC-4 -NH ₃ 1 5/8"	89.011	46	b	1	3.5	13	159	860	295	770	370
CAT. II	SAC-5 -NH ₃ 2 1/8"	89.012	46.5	b	1	3.5	13	159	860	295	765	370
CAT. III	SAC-6 -NH ₃ 2 5/8"	89.013	80	c	1	17.2	50	273	1222	408	1075	495
CAT. III	SAC-7 -NH ₃ 3 1/8"	89.014	81	c	1	17.2	50	273	1222	408	1075	495
CAT. III	SAC-8 -NH ₃ 3 1/8"	89.023	84	c	2	22.3	65	273	1450	408	1303	710

NOTE:

* TOLERANCE ± 3%

SELECTION / SELECCIÓN

31 bar -10/120°C 10 bar -20/100°C			KW (T ^a cond. 37.8°C; supercalen. 5.6°C; Subenfr. 0°C)	
			+4.4°C	-40°C
CAT. II	SAC-4 -NH ₃ 1 5/8"	89.011	225	35
CAT. II	SAC-5 -NH ₃ 2 1/8"	89.012	310	47
CAT. III	SAC-6 -NH ₃ 2 5/8"	89.013	512	77
CAT. III	SAC-7 -NH ₃ 3 1/8"	89.014	874	132
CAT. III	SAC-8 -NH ₃ 3 1/8"	89.023	880	135

Other conditions consult : <https://selector.tecnac.net/>
Otras condiciones consultar: <https://selector.tecnac.net/>

COALESCENT OIL SEPARATORS WITH OIL RECEIVER

SEPARADORES DE ACEITE COALESCENTES CON RECIPIENTE

A2L-A3

CO₂

HFC



To difference of other oil separators, the efficiency of the Tecnac Coalescent Oil Separators, it does not depend on the speed. Therefore, oil separator TECNAC working (separating oil) to 99 % of efficiency when the load drop.

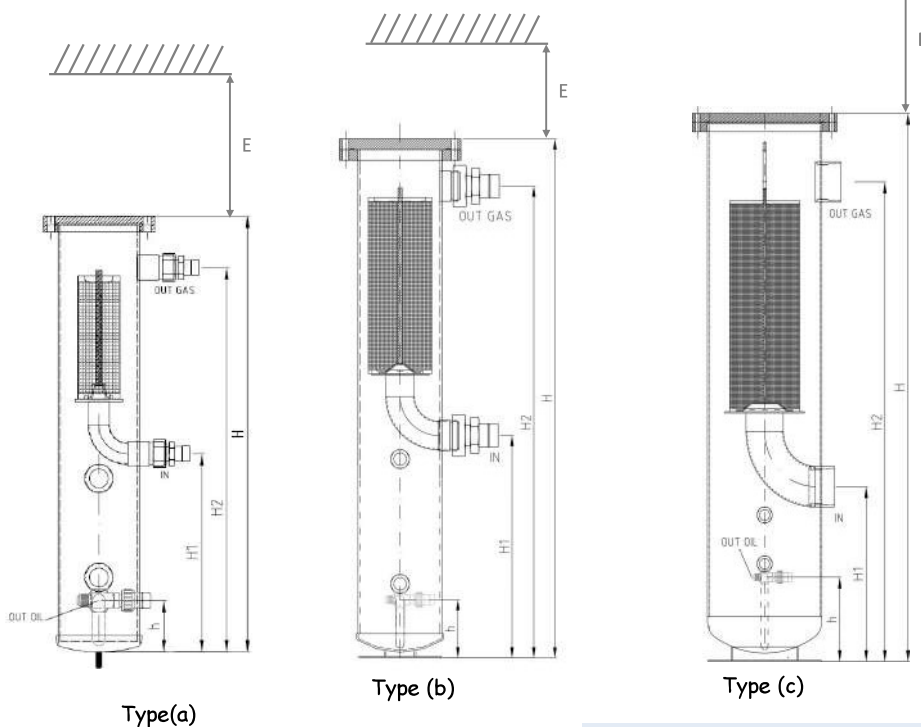
All oil separator include replacement coalescent filter. They have oil receiver included.

A diferencia de otros separadores de aceite, la eficacia de los separadores coalescentes Tecnac, no depende de la velocidad. Por consiguiente, el separador de aceite TECNAC continua funcionando (separando aceite) al 99% de eficacia cuando la carga disminuye.

Todos los separadores incluyen filtro coalescente recambiable. Llevan recipiente de aceite incorporado



MAXIMUM WORKING PRESSURE: 45 bar
MAXIMA PRESIÓN DE TRABAJO: 45 bar



SPARE / REPUESTO

OIL SEPARATOR SEPARADOR DE ACEITE	COALESCENT FILTER FILTRO COALESCENTE	FILTER O-RING JUNTA DE FILTRO	FLANGE O-RING JUNTA DE BRIDA
SARC-1 7/8"	Coalescent Filter 55 x 155 A-006107	A-006342	A-005270
SARC-2 1 1/8"	Coalescent Filter 55 x 253 A-006108	A-006342	A-005270
SARC-3 1 3/8"			
SARC-4 1 5/8"	Coalescent Filter 120 x 333 A-006109	A-006341	A-005271
SARC-5 2 1/8"	Coalescent Filter 175 x 462 A-006110	A-006340	A-005272
SARC-6 2 5/8"			
SARC-7 3 1/8"			
SARC-8 3 1/8"	Coalescent Filter 175 x 680 A-006122	A-006340	A-005272



31 bar -10/120°C 10 bar -20/100°C			Kg	Type	Oil	Vs	Vr	Vt	Dimensions						
					Precharge	(L)	(L)	(L)	Dimensiones (mm)						
					(L)				D	H*	h*	H1*	H2*	E	
CAT. I	SARC-1	7/8"	93.001	15.5	a	2	1.5	2.5	4	102	550	65	250	485	170
CAT. I	SARC-2	1 1/8"	93.002	16.5	b	2	2.3	2.7	5	102	830	110	425	765	270
CAT. I	SARC-3	1 3/8"	93.003	16.5	b	2	2.3	2.7	5	102	830	110	425	765	270
CAT. II	SARC-4	1 5/8"	93.004	43.5	b	6	8	8	16	159	980	110	420	890	370
CAT. II	SARC-5	2 1/8"	93.005	43.5	b	6	8	8	16	159	980	110	420	885	370
CAT. I II	SARC-6	2 5/8"	93.006	77.5	c	10	35	24	59	273	1200	185	383	1050	495
CAT. III	SARC-7	3 1/8"	93.007	77.5	c	10	35	24	59	273	1200	185	383	1050	495
CAT. III	SARC-8	3 1/8"	93.022	81	c	20	44	30	74	273	1428	185	383	1278	710

45 bar -10/120°C 10 bar -20/100°C			Kg	Type	Oil	Vs	Vr	Vt	Dimensions						
					Precharge	(L)	(L)	(L)	Dimensiones (mm)						
					(L)				D	H*	h*	H1*	H2*	E	
CAT. I	SARC-1-45	7/8"	93.015	16.5	a	2	1.5	2.5	4	102	550	65	250	485	170
CAT. I	SARC-2-45	1 1/8"	93.016	18	b	2	2.3	2.7	5	102	830	110	425	765	270
CAT. I	SARC-3-45	1 3/8"	93.017	18	b	2	2.3	2.7	5	102	830	110	425	765	270
CAT. II	SARC-4-45	1 5/8"	93.018	47	b	6	8	8	16	159	980	110	420	890	370
CAT. II	SARC-5-45	2 1/8"	93.019	47	b	6	8	8	16	159	980	110	420	885	370
CAT. I II	SARC-6-45	2 5/8"	93.020	92	c	10	35	24	59	273	1200	185	383	1050	495
CAT. III	SARC-7-45	3 1/8"	93.021	93	c	10	35	24	59	273	1200	185	383	1050	495
CAT. III	SARC-8-45	3 1/8"	93.024	97	c	20	44	30	74	273	1428	185	383	1278	710

45 bar -10/120°C 10 bar -20/100°C			Kg	Type	Oil	Vs	Vr	Vt	Dimensions						
					Precharge	(L)	(L)	(L)	Dimensiones (mm)						
					(L)				D	H*	h*	H1*	H2*	E	
CAT. I	SARC-10-45-T	5/8"	93.050	16	a	2	1.5	2.5	3.5	102	495	65	295		170
CAT. I	SARC-11-45-T	7/8"	93.051	16	a	2	1.5	2.5	3.5	102	495	65	295		170
CAT. I	SARC-12-45-T	1 1/8"	93.052	18	b	2	2.3	2.7	5	102	727	110	416		270
CAT. II	SARC-13-45-T	1 3/8"	93.053	18	b	2	2.3	2.7	5	102	727	110	416		270
CAT. II	SARC-14-45-T	1 5/8"	93.054	47	b	6	8	8	16	159	975	110	422	860	370
CAT. I II	SARC-15-45-T	2 1/8"	93.055	47	b	6	8	8	16	159	975	110	422	860	370
CAT. III	SARC-16-45-T	2 5/8"	93.056	70	c	9	20	18	32	219	940	185	292	822	495
CAT. III	SARC-17-45-T	3 1/8"	93.057	105	c	21	40	32	82	323	1085	200	384	943	710

SARC: VALVE INCLUDED 1"x 3/8" SAE / VÁLVULA INCLUIDA 1" x 3/8" SAE

Vs: Volume Oil Separator / Volumen separador de aceite

Vr: Volume Oil Receiver / Volumen Recipiente de Aceite

NOTE:

* TOLERANCE ± 3%

SELECTION / SELECCIÓN

31 bar -10/120°C 10 bar -20/100°C			KW (T ^o cond.=37,8°C; supercalentamiento 5,6°C; subenfriamiento 0°C)						
			R134A		R404/R507		R1234ze		
			-25°C	+5°C	-40°C	+5°C	-40°C	+5°C	
CAT. I	SARC-1	7/8"	93.001	13.7	23.3	11.9	36.1	4	27.8
CAT. I	SARC-2	1 1/8"	93.002	22.9	39.8	18.3	61.8	7.2	50
CAT. I	SARC-3	1 3/8"	93.003	35.1	58.2	29.3	90.3	10.9	80
CAT. II	SARC-4	1 5/8"	93.004	58.1	102.9	47.6	173.1	18.7	130
CAT. II	SARC-5	2 1/8"	93.005	85.6	140.9	65.9	218.7	25.5	177.5
CAT. I II	SARC-6	2 5/8"	93.006	92.3	191	77.6	296.7	427	296.5
CAT. III	SARC-7	3 1/8"	93.007	119.3	278.6	105	432.6	72.5	504
CAT. III	SARC-8	3 1/8"	93.022	122	280	115	438	75	505

45 bar -10/120°C 10 bar -20/100°C			FOR CO ₂		
			KW (T ^o cond. -3,88°C; supercalen. 5.6°C; Subenfr. 0°C)		
			+4.4°C	-40°C	
CAT. I	SARC-1-45	7/8"	93.015	141	34
CAT. I	SARC-2-45	1 1/8"	93.016	258	62
CAT. I	SARC-3-45	1 3/8"	93.017	393	95.5
CAT. II	SARC-4-45	1 5/8"	93.018	673	163.7
CAT. II	SARC-5-45	2 1/8"	93.019	918	222
CAT. I II	SARC-6-45	2 5/8"	93.020	1534.5	373.4
CAT. III	SARC-7-45	3 1/8"	93.021	2610	634.9
CAT. III	SARC-8-45	3 1/8"	93.024	2612	640

45 bar -10/120°C 10 bar -20/100°C			FOR CO ₂		
			KW (T ^o cond. -3,88°C; supercalen. 5.6°C; Subenfr. 0°C)		
			+4.4°C	-40°C	
CAT. I	SARC-10-45-T	5/8"	93.050	98	20
CAT. I	SARC-11-45-T	7/8"	93.051	141	34
CAT. I	SARC-12-45-T	1 1/8"	93.052	258	62
CAT. II	SARC-13-45-T	1 3/8"	93.053	393	95.5
CAT. II	SARC-14-45-T	1 5/8"	93.054	673	163.7
CAT. I II	SARC-15-45-T	2 1/8"	93.055	918	222
CAT. III	SARC-16-45-T	2 5/8"	93.056	1200	301
CAT. III	SARC-17-45-T	3 1/8"	93.057	2640	670

COALESCENT OIL SEPARATORS WITH OIL RECEIVER

SEPARADORES DE ACEITE COALESCENTES CON RECIPIENTE

NH₃



To difference of other oil separators, the efficiency of the Tecnac Coalescent Oil Separators, it does not depend on the speed. Therefore, oil separator TECNAC working (separating oil) to 99 % of efficiency when the load drop.

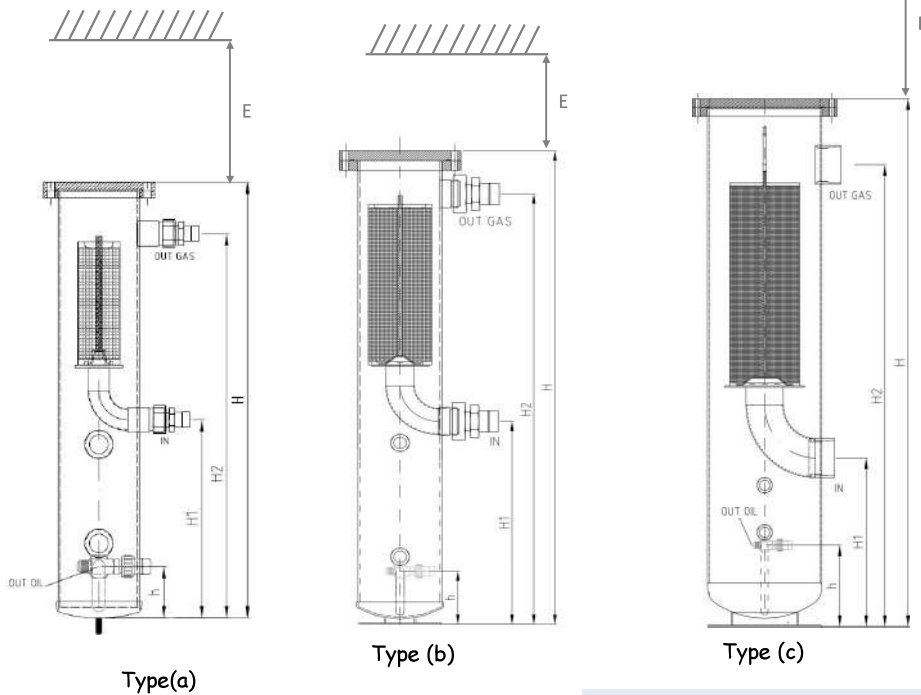
All oil separator include replacement coalescent filter. They have oil receiver included.

A diferencia de otros separadores de aceite, la eficacia de los separadores coalescentes Tecnac, no depende de la velocidad. Por consiguiente, el separador de aceite TECNAC continua funcionando (separando aceite) al 99% de eficacia cuando la carga disminuye.

Todos los separadores incluyen filtro coalescente recambiable. Llevan recipiente de aceite incorporado



MAXIMUM WORKING PRESSURE: 31 bar
MAXIMA PRESIÓN DE TRABAJO: 31 bar



SPARE / REPUESTO

OIL SEPARATOR SEPARADOR DE ACEITE	COALESCENT FILTER FILTRO COALESCENTE	FILTER O-RING JUNTA DE FILTRO	FLANGE O-RING JUNTA DE BRIDA
SARC-1 -NH ₃ 7/8"	Coalescent Filter 55 x 155 A-006107	A-006342	A-005270
SARC-2 -NH ₃ 1 1/8"	Coalescent Filter 55 x 253 A-006108	A-006342	A-005270
SARC-3 -NH ₃ 1 3/8"			
SARC-4 -NH ₃ 1 5/8"	Coalescent Filter 120 x 333 A-006109	A-006341	A-005271
SARC-5 -NH ₃ 2 1/8"	Coalescent Filter 175 x 462 A-006110	A-006340	A-005272
SARC-6 -NH ₃ 2 5/8"			
SARC-7 -NH ₃ 3 1/8"			
SARC-8-NH ₃ 3 1/8"	Coalescent Filter 175 x 680 A-006122	A-006340	A-005272



31 bar -10/120°C 10 bar -20/100°C			Kg	Type	Oil Precharge (L)	Vs (L)	Vr (L)	Vt (L)	Dimensions						
									Dimensiones (mm)						D
CAT. I	SARC-1 –NH ₃	7/8"	93.008	15.5	a	2	1.5	2.5	4	102	550	65	250	485	170
CAT. I	SARC-2 –NH ₃	1 1/8"	93.009	16.5	b	2	2.3	2.7	5	102	830	110	425	765	270
CAT. I	SARC-3 –NH ₃	1 3/8"	93.010	16.5	b	2	2.3	2.7	5	102	830	110	425	765	270
CAT. II	SARC-4 –NH ₃	1 5/8"	93.011	43.5	b	6	8	8	16	159	980	110	420	890	370
CAT. II	SARC-5 –NH ₃	2 1/8"	93.012	43.5	b	6	8	8	16	159	980	110	420	885	370
CAT. I II	SARC-6 –NH ₃	2 5/8"	93.013	77.5	c	10	35	24	59	273	1200	185	383	1050	495
CAT. III	SARC-7 –NH ₃	3 1/8"	93.014	78.5	c	10	35	24	59	273	1200	185	383	1050	495
CAT. III	SARC-8-NH ₃	3 1/8"	93.023	81	c	20	44	30	74	273	1428	185	383	1278	710

Vs: Volume Oil Separator / Volumen separador de aceite
Vr: Volume Oil Receiver / Volumen Recipiente de Aceite

NOTE:
* TOLERANCE ± 3%

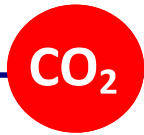
SARC-NH₃: ADAPTER INCLUDED 1" x 3/8" ODS / ADAPTADOR INCLUIDO 1" x 3/8" ODS

SELECTION / SELECCIÓN

31 bar -10/120°C 10 bar -20/100°C			KW (T ^o cond. 37.8°C; supercalen. 5.6°C; Subenfr. 0°C)		
			+4.4°C	-40°C	
CAT. I	SARC-1 –NH ₃	7/8"	93.008	48	7,4
CAT. I	SARC-2 –NH ₃	1 1/8"	93.009	87	12,5
CAT. I	SARC-3 –NH ₃	1 3/8"	93.010	130	19,8
CAT. II	SARC-4 –NH ₃	1 5/8"	93.011	225	35
CAT. II	SARC-5 –NH ₃	2 1/8"	93.012	310	47
CAT. I II	SARC-6 –NH ₃	2 5/8"	93.013	512	77
CAT. III	SARC-7 –NH ₃	3 1/8"	93.014	874	132
CAT. III	SARC-8-NH ₃	3 1/8"	93.023	880	135

COALESCENT OIL SEPARATORS FOR CO₂ (Transcritical)

SEPARADORES DE ACEITE COALESCENTES PARA CO₂ TRANCRÍTICO



130 bar



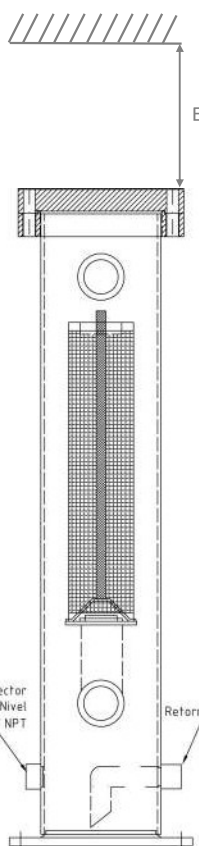
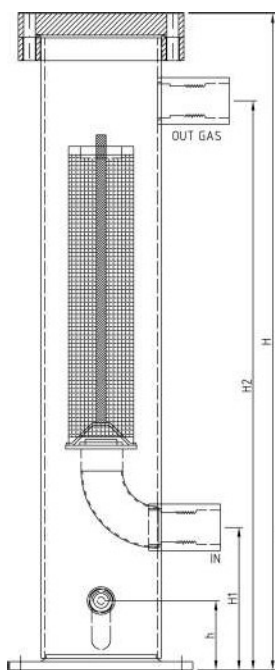
Designed for CO₂ transcritical systems, obtaining multiple advantages: an efficiency of separation superior to 98,5 %, improvement of the efficiency of the thermal transfer (it minimizes the quantity of oil in the evaporator), reduction of times of functioning of the compressor, for what obtain better performances that the rest of technologies of filtration and separation.

Diseñados para sistemas CO₂ transcriticals, obteniendo múltiples ventajas: una eficiencia de separación mayor del 98,5%, mejora de la eficiencia de la transferencia térmica (minimiza la cantidad de aceite en el evaporador), reducción de tiempos de funcionamiento del compresor, por lo que se obtienen mejores rendimientos que el resto de tecnologías de filtración y separación.



MAXIMUM WORKING PRESSURE: 130 bar



MAXIMA PRESIÓN DE TRABAJO: 130 bar



SAC 17-130BAR-T 3 1/8"

OPTIONAL / OPCIONAL

SPARE / REPUESTO

<p>LIQUID LEVEL ELECTRICAL GAUGE DETECTOR NIVEL DE LIQUIDO ELECTRÓNICO 130 bar -40 /125°C 1/2" NPT— 230VAC@50Hz LC-XP</p>  <p>A-005266</p>	<p>LIQUID REGULATOR REGULADOR DE NIVEL DE LIQUIDO 120 bar -40 /125°C 1/2" NPT— 230VAC@50Hz TK3-S-120bar</p>  <p>A-005323 + A-007461</p>
--	---

OIL SEPARATOR SEPARADOR DE ACEITE	COALESCENT FILTER FILTRO COALESCENTE	FILTER O-RING JUNTA DE FILTRO	FLANGE O-RING JUNTA DE BRIDA
SARC0-130bar	Coalescent Filter 55 x 155 A-006111	A-006342	A-005227
SARC1-130bar	Coalescent Filter 55 x 253 A-006108	A-006342	A-005227
SARC2-130bar SARC3-130bar			
SARC3-130bar	Coalescent Filter 120 x 333 A-006109	A-006341	A-005228
SARC5-130bar			

130 bar -10/150°C 90 bar -10/120°C 90 bar -40/80°C			Kg	Oil Precharge (L)	Vt (L)	Va (L)	Dimensions Dimensiones (mm)					
							D	H*	h*	H1*	H2*	E
CAT. II	SAC 0-130bar 3/4"	89.025	23	0.5	2.9	1.1	102	465	59	121	376	190
CAT. II	SAC 1-130bar 7/8"	89.026	23	0.5	2.9	1.1	102	465	59	121	376	190
CAT. II	SAC 2-130bar 1 1/8"	89.027	25	0.7	3.6	1.4	102	570	59	121	482	290
CAT. II	SAC 3-130bar 1 3/8"	89.028	25	0.7	3.6	1.4	102	570	59	121	474	290
CAT. III	SAC 4-130bar 1 5/8"	89.029	60	1.2	13.8	3.7	159	860	65	126	740	390
CAT.I III	SAC 5-130bar 2 1/8"	89.030	60	1.2	13.8	3.7	159	860	65	126	740	390

130 bar -10/150°C 90 bar -10/120°C 90 bar -40/80°C			Kg	Oil Precharge (L)	Vt (L)	Va (L)	Dimensions Dimensiones (mm)					
							D	H*	h*	H1*	H2*	E
CAT. II	SAC 10-130bar -T 7/8"	89.070	25	0.6	3.1	1.25	102	545	118	152	433	190
CAT. II	SAC 11-130bar -T 1 1/8"	89.071	55	1.2	11	3.7	159	702	131	171	584	390
CAT. II	SAC 12-130bar -T 1 3/8"	89.072	55	1.2	11	3.7	159	702	131	171	584	390
CAT. III	SAC 13-130bar -T 1 5/8"	89.073	60	1.5	14	4	159	870	131	171	752	390
CAT.I III	SAC 14-130bar -T 1 5/8"	89.074	100	3	28	9	219	927	162	210	765	390
CAT.I III	SAC 15-130bar -T 2 1/8"	89.075	100	3	28	9	219	927	162	210	765	495
CAT.I IV	SAC 17-130bar -T 3 1/8"	89.081	220	46	163	46	406	1610	254	292	1257	700

130 bar -10/150°C 90 bar -10/120°C 90 bar -40/80°C			Kg	Oil Precharge (L)	Vt (L)	Va (L)	Dimensions Dimensiones (mm)					
							D	H*	h*	H1*	H2*	E
CAT. II	SAC 20-130bar -NW 1 1/8"	89.032	28	0.6	3.5	1.3	102	656	104/164	215	530	190
CAT. II	SAC 21-130bar -NW 1 3/8"	89.033	58	1.5	11	4	159	790	136	241	651	390
CAT. II	SAC 22-130bar -NW 2 1/8"	89.034	110	3.5	30	10	219	1033	123/159	282	837	495

NOTE:
* TOLERANCE ± 3%

SELECTION / SELECCIÓN

130 bar -10/150°C 90 bar -10/120°C 90 bar -40/80°C			KW (T ^a cond. 29.44C; supercalen. 5.6°C; Subenfr. 0°C)	
			+14°C	-40°C
CAT. II	SAC 0-130bar 3/4"	89.025	23.5	4.5
CAT. II	SAC 1-130bar 7/8"	89.026	41.3	8
CAT. II	SAC 2-130bar 1 1/8"	89.027	158	29.8
CAT. II	SAC 3-130bar 1 3/8"	89.028	462.2	87.8
CAT. III	SAC 4-130bar 1 5/8"	89.029	674.8	128
CAT.I III	SAC 5-130bar 2 1/8"	89.030	845.1	160.7

130 bar -10/150°C 90 bar -10/120°C 90 bar -40/80°C			KW (T ^a cond. 37.78C; supercalen. 5.6°C; Subenfr. 0°C)	
			+14°C	-18°C
CAT. II	SAC 10-130bar -T 7/8"	89.070	142	61
CAT. II	SAC 11-130bar -T 1 1/8"	89.071	425	108
CAT. II	SAC 12-130bar -T 1 3/8"	89.072	425	180
CAT. III	SAC 13-130bar -T 1 5/8"	89.073	620	261
CAT.I III	SAC 14-130bar -T 1 5/8"	89.074	807	340
CAT.I III	SAC 15-130bar -T 2 1/8"	89.075	807	340
CAT.I IV	SAC 17-130bar -T 3 1/8"	89.081	3244	1364

130 bar -10/150°C 90 bar -10/120°C 90 bar -40/80°C			Maximum mass flow compressor (Kg/h)	
			+15°C	-20°C
CAT. II	SAC 20-130bar -NW 1 1/8"	89.032	5126	2635
CAT. II	SAC 21-130bar -NW 1 3/8"	89.033	13146	6625
CAT. II	SAC 22-130bar -NW 2 1/8"	89.034	26341	13275