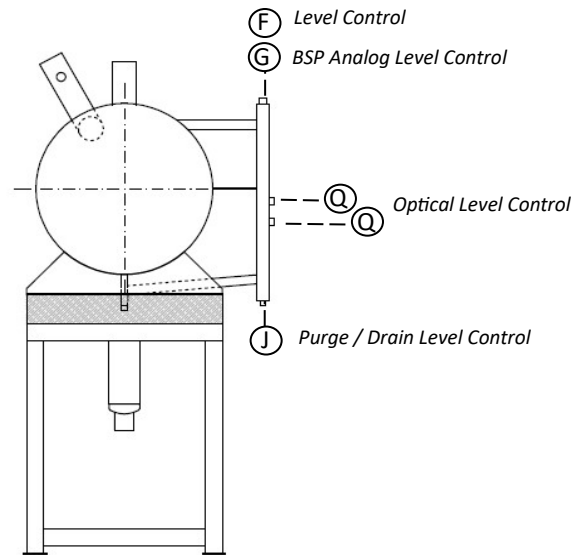
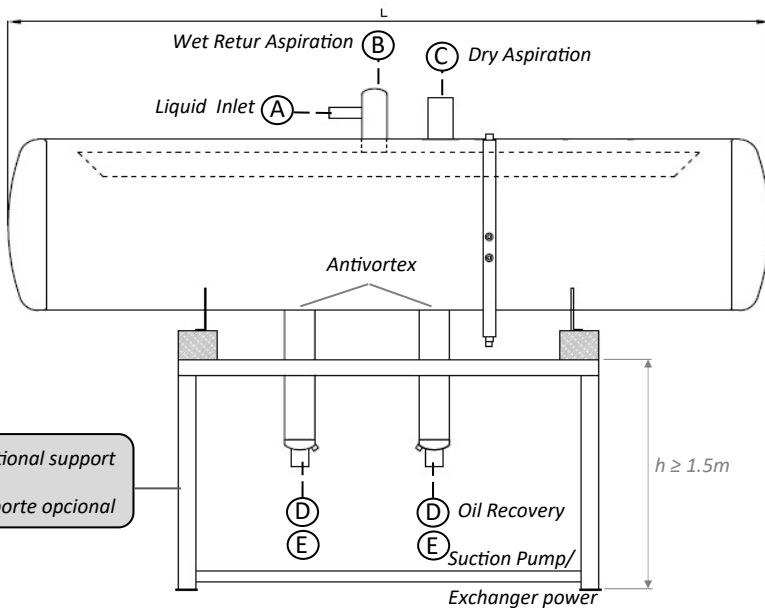
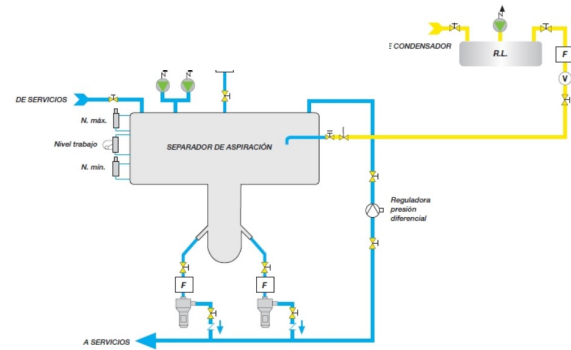
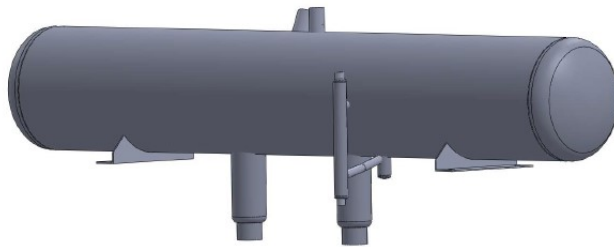


# NH<sub>3</sub> ASPIRATION SEPARATOR SEPARADOR DE ASPIRACIÓN PARA NH<sub>3</sub>



25 bar -40/80°C

KW (estimated) Tevap. -30°C Sub.-5°C	Model	Modelo	Code Código	OPTIONAL SUPPORT BANCADA OPCIONAL	Vol (L)	Ø	L	A	B	C	D	E	F	G	J	Q
588	SEP-1200L-NH3		133.001	B-SEP-813/914-NH <sub>3</sub>	1200	813	2550	1"	4"	4"	5"	3"	2"	1"	1/2"	3/4" NPT
735	SEP-1500L-NH3		133.002	B-SEP-813/914-NH <sub>3</sub>	1500	813	3000	1"	4"	4"	5"	3"	2"	1"	1/2"	3/4" NPT
898	SEP-2000L-NH3		133.003	B-SEP-813/914-NH <sub>3</sub>	2000	914	3150	1"	4"	4"	5"	3"	2"	1"	1/2"	3/4" NPT
1210	SEP-2500L-NH3		133.004	B-SEP-813/914-NH <sub>3</sub>	2500	914	4137	1"	5"	5"	5"	3"	2"	1"	1/2"	3/4" NPT
1268	SEP-3000L-NH3		133.005	B-SEP-1016/1200-NH <sub>3</sub>	3000	1016	3950	1"	5"	5"	5"	3"	2"	1"	1/2"	3/4" NPT
1642	SEP-3500L-NH3		133.006	B-SEP-1016/1200-NH <sub>3</sub>	3500	1016	4600	1"	5"	5"	5"	3"	2"	1"	1/2"	3/4" NPT
1877	SEP-4000L-NH3		133.007	B-SEP-1016/1200-NH <sub>3</sub>	4000	1200	3740	1"	5"	5"	5"	3"	2"	1"	1/2"	3/4" NPT
2111	SEP-4500L-NH3		133.008	B-SEP-1016/1200-NH <sub>3</sub>	4500	1200	4190	1"	5"	5"	5"	3"	2"	1"	1/2"	3/4" NPT
2346	SEP-5000L-NH3		133.009	B-SEP-1016/1200-NH <sub>3</sub>	5000	1200	4665	1"	5"	5"	5"	3"	2"	1"	1/2"	3/4" NPT

OTHERS MODELS CONSULT / OTROS MODELOS CONSULTAR

### OPTIONAL / OPCIONAL:

- safety valve / válvula de seguridad
- level detector for level column / detector de nivel para columna de nivel
- coating with galvanized aluminium / recubrimiento con aluminio galvanizado



### Optional: support

Opcional: soporte-Bancada

MODEL / MODELO	CODE / CÓDIGO
B-SEP-813/914-NH <sub>3</sub>	A-007462
B-SEP-1016/1200-NH <sub>3</sub>	A-007463

## ORDER / PEDIDO

TO INCLUDE THE OPTIONALS, YOU MUST INDICATE IN YOUR ORDER:

PARA INCLUIR LOS OPCIONALES, INDICAR EN EL PEDIDO:

MODEL / V.SG / LD / C

EXAMPLE: SEP-1200L-NH<sub>3</sub> / V.SG / LD / C

V.SG = safety valve  
LD = level detector for LC  
C = coating aluminium

