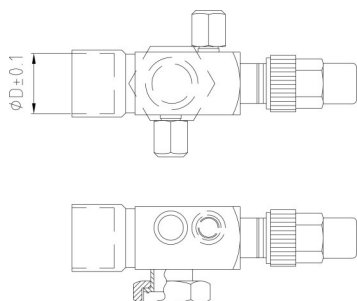


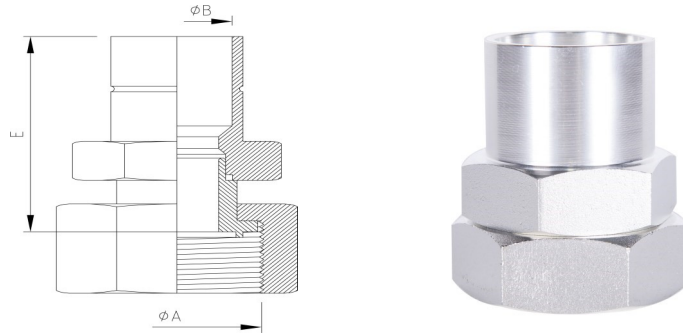


Weld type steel Valves with coating anticorrosion.
Sealed plastic plug of great capacity to avoid losses of refrigerant.
All the valves include two gauges of 1/4" SAE (*) with brass plugs.
Compatible only with fluids of the group II.
Other measurements on demand. Please consult

Válvulas tipo soldar de acero con revestimiento anticorrosión.
Tapón de sellado de plástico de gran capacidad para evitar pérdidas de refrigerante.
Todas la válvulas incluyen dos tomas de 1/4" SAE (*) con tapón de latón.
Compatible únicamente con fluidos del grupo II.
Otras medidas consultar



| CO₂ | | 45 bar -40/140°C | | | | |
|-----------------------|------------------------------------|-------------------------|--------|----------|--------|------------------------|
| CODE CÓDIGO | MODEL / MODELO | Body (mm) | A (mm) | B (inch) | D (mm) | Kv (m ³ /h) |
| A-005038 | Rotalock Valve 1" x 3/8" SAE | □20 | 12 | 1" | - | 3,8 |
| A-005222 | Rotalock Valve 1" x 3/8" ODS | □20 | 12 | 1" | 9,8 | 3,8 |
| A-005003-01 | Rotalock Valve 1" x 1/2" ODS | □20 | 12 | 1" | 12,95 | 3,8 |
| A-005003-02 | Rotalock Valve 1" x 5/8" ODS | □20 | 12 | 1" | 16,2 | 3,8 |
| A-005139 | Rotalock Valve 1" x 7/8" ODS | □20 | 12 | 1" | 22,5 | 3,8 |
| A-005223 | Rotalock Valve 1 1/4" x 5/8" SAE | □20 | 18 | 1 1/4" | - | 3,8 |
| A-005024 | Rotalock Valve 1 1/4" x 5/8" ODS | □20 | 18 | 1 1/4" | 16,2 | 3,8 |
| A-005221 | Rotalock Valve 1 1/4" x 1/2" ODS | □20 | 12 | 1 1/4" | 12,95 | 3,8 |
| A-005001-02 | Rotalock Valve 1 1/4" x 7/8" ODS | □30 | 18 | 1 1/4" | 22,5 | 8,5 |
| A-005025 | Rotalock Valve 1 1/4" x 1 1/8" ODS | □30 | 19 | 1 1/4" | 28,85 | 8,5 |
| A-005037 | Rotalock Valve 1 3/4" x 7/8" ODS | □30 | 19 | 1 3/4" | 22,5 | 8,5 |
| A-005002-01 | Rotalock Valve 1 3/4" x 1 1/8" ODS | □30 | 19 | 1 3/4" | 28,85 | 8,5 |
| A-005002-01F | Rotalock Valve 1 3/4" x 1 1/8" ODS | □36 | 27 | 1 3/4" | 28,85 | 17 |
| A-005002-02 | Rotalock Valve 1 3/4" x 1 3/8" ODS | □36 | 27 | 1 3/4" | 35,3 | 17 |
| A-005036 | Rotalock Valve 1 3/4" x 1 5/8" ODS | □36 | 27 | 1 3/4" | 41,2 | 17 |
| A-005004-1 | Rotalock Valve 2 1/4" x 2 1/8" ODS | □50 | 38 | 2 1/4" | 54,4 | 35 |
| A-005004-2 | Rotalock Valve 2 1/4" x 1 5/8" ODS | □50 | 38 | 2 1/4" | 41,6 | 35 |



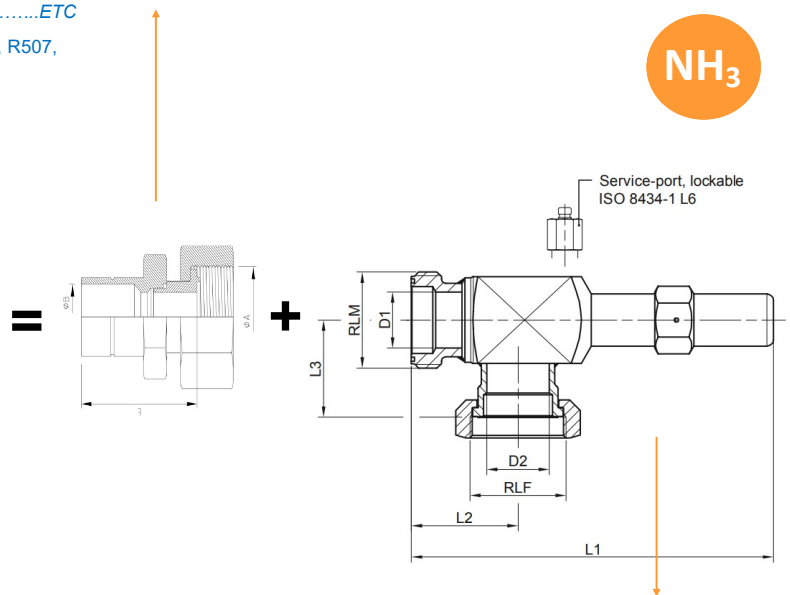
ROTALOCK STRAIGHT ADAPTER / ADAPTADORES ROTALOCK RECTAS

| MODEL MODELO | CODE CÓDIGO | Ø A (ROTALOCK) | Ø B (ODS) | E mm |
|------------------|-------------|----------------|-----------|------|
| A-1 x 3/8" | A-004174 | 1" – 14UNS | 3/8" | 30 |
| A-1 x 5/8" | A-004105 | 1" – 14UNS | 5/8" | 35 |
| A-1 x 1/2" | A-004175 | 1" – 14UNS | 1/2" | 35 |
| A-1 x 7/8" | A-004182 | 1" – 14UNS | 7/8" | 35 |
| A-1 1/4 x 5/8" | A-004106 | 1 1/4" – 12UNF | 5/8" | 37.7 |
| A-1 1/4 x 3/4" | A-004107 | 1 1/4" – 12UNF | 3/4" | 37.7 |
| A-1 1/4 x 7/8" | A-004108 | 1 1/4" – 12UNF | 7/8" | 43.7 |
| A-1 1/4 x 1 1/8" | A-004109 | 1 1/4" – 12UNF | 1 1/8" | 50.7 |
| A-1 3/4 x 1 1/8" | A-004110 | 1 3/4" – 12UNF | 1 1/8" | 55.2 |
| A-1 3/4 x 1 3/8" | A-004111 | 1 3/4" – 12UNF | 1 3/8" | 55.2 |
| A-1 3/4 x 1 5/8" | A-004112 | 1 3/4" – 12UNF | 1 5/8" | 57.7 |
| A-2 1/4 x 1 5/8" | A-004176 | 2 1/4" – 12UNF | 1 5/8" | 61.5 |
| A-2 1/4 x 2 1/8" | A-004177 | 2 1/4" – 12UNF | 2 1/8" | 63.5 |

VALID FOR ALL THE REFRIGERANTS HFC: R22, R134a, R404A, R507,ETC
 VÁLIDO PARA TODOS LOS REFRIGERANTES HFC: R22, R134a, R404A, R507,
 ETC



NH₃ valves / Válvulas para NH₃



| 45 bar -40/140°C | | | | | | | |
|------------------|---|---------------------|---------------------|---------------------|---------------------|---------------------|------------------------|
| CODE CÓDIGO | MODEL / MODELO | D ₁ (mm) | D ₂ (mm) | L ₁ (mm) | L ₂ (mm) | L ₃ (mm) | Kv (m ³ /h) |
| A-005218 | Rotalock Valve 1 1/4" x 1 1/4" -NH ₃ | 19 | 19 | 129 | 42 | 37 | 12 |
| A-005219 | Rotalock Valve 1 3/4" x 1 3/4" -NH ₃ | 26 | 29 | 168 | 49.5 | 44.5 | 27 |
| A-005220 | Rotalock Valve 2 1/4" x 2 1/4" -NH ₃ | 37 | 37 | 182 | 60 | 53.5 | 48 |