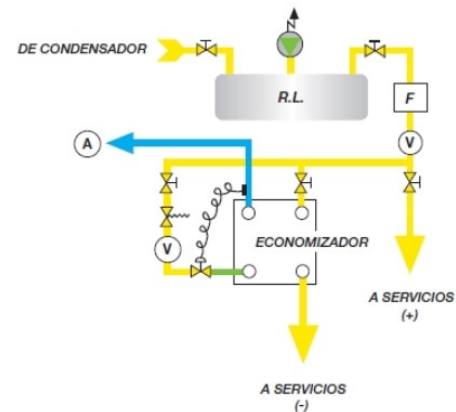
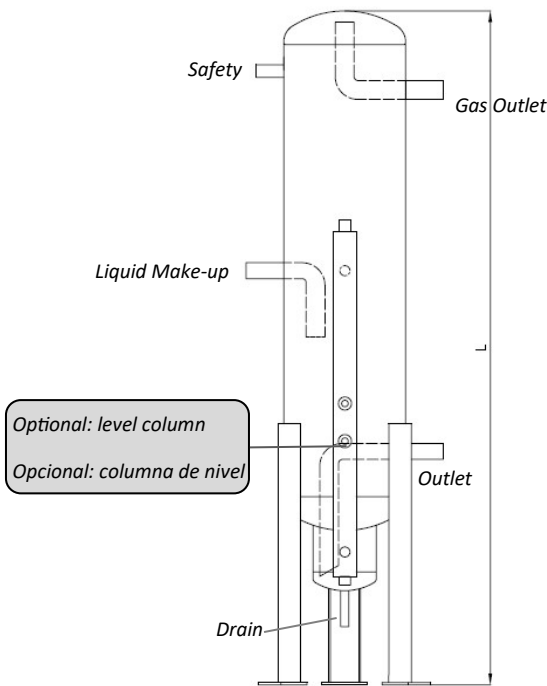


NH₃ SUBCOOLING SEPARATOR SEPARADOR SUBENFRIADOR DE LÍQUIDO PARA NH₃



32 bar -20/100°C

Model Modelo	Code Código	Vol (L)	Ø	L	GAS OUTLET	OUTLET	LIQUID MAKE-UP	FLOAT COLUM	SAFETY	DRAIN TANK	DRAIN	Optional Level column
ECO-24L-NH3	134.001	24	273	780	1 1/4"	1 1/4"	1"	1 1/4"	1/2"	2"	1"	LC-E-1
ECO-30L-NH3	134.002	30	273	890	1 1/2"	1 1/2"	1"	1 1/4"	1/2"	2"	1"	LC-E-1
ECO-36L-NH3	134.003	36	273	995	1 1/2"	1 1/2"	1"	1 1/4"	1/2"	2"	1"	LC-E-1
ECO-50L-NH3	134.004	50	273	1250	2"	2"	1"	1 1/4"	1/2"	2"	1"	LC-E-2
ECO-70L-NH3	134.005	70	323	1140	3"	3"	1"	1 1/4"	1/2"	2"	1"	LC-E-2
ECO-100L-NH3	134.006	100	323	1630	3"	3"	1"	1 1/4"	1/2"	2"	1"	LC-E-3
ECO-150L-NH3	134.007	150	406	1543	3"	3"	1 1/4"	1 1/4"	1/2"	2"	1"	LC-E-3
ECO-200L-NH3	134.008	200	406	1955	3"	3"	1 1/4"	1 1/4"	1/2"	2"	1"	LC-E-3
ECO-250L-NH3	134.009	250	406	2360	4"	4"	1 1/4"	1 1/4"	1/2"	2"	1"	LC-E-4
ECO-300L-NH3	134.010	300	610	1340	4"	4"	1 1/2"	1 1/4"	1/2"	2"	1"	LC-E-2
ECO-400L-NH3	134.011	400	610	1700	4"	4"	1 1/2"	1 1/4"	3/4"	2"	1"	LC-E-3
ECO-450L-NH3	134.012	450	610	1880	4"	4"	1 1/2"	1 1/4"	3/4"	2"	1"	LC-E-3
ECO-500L-NH3	134.013	500	610	2063	4"	4"	1 1/2"	1 1/4"	3/4"	2"	1"	LC-E-4
ECO-550L-NH3	134.014	550	610	2240	4"	4"	1 1/2"	1 1/4"	3/4"	2"	1"	LC-E-4
ECO-600L-NH3	134.015	600	610	2425	5"	5"	2"	1 1/4"	3/4"	2"	1"	LC-E-4
ECO-650L-NH3	134.016	650	610	2514	5"	5"	2"	1 1/4"	3/4"	2"	1"	LC-E-5
ECO-700L-NH3	134.017	700	610	2785	5"	5"	2"	1 1/4"	3/4"	2"	1"	LC-E-5
ECO-750L-NH3	134.018	750	610	2965	5"	5"	2"	1 1/4"	3/4"	2"	1"	LC-E-5

ALL THE MODELS ARE PAINTED IN BLACK / TODOS LOS MODELOS SON PINTADOS EN NEGRO
OTHERS MODELS CONSULT / OTROS MODELOS CONSULTAR

OPTIONAL / OPCIONAL:

- safety valve / válvula de seguridad
- level column / columna de nivel
- level detector for level column / detector de nivel para columna de nivel
- coating with galvanized aluminium / recubrimiento con aluminio galvanizado



ORDER / PEDIDO

TO INCLUDE THE OPTIONALS, YOU MUST INDICATE IN YOUR ORDER:
PARA INCLUIR LOS OPCIONALES, INDICAR EN EL PEDIDO:

MODEL / V.SG / LC / LD / C

EXAMPLE: RH-250L-NH₃ / V.SG

V.SG = safety valve
LC = level column
LD = level detector for LC
C = coating aluminium

